

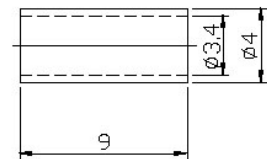
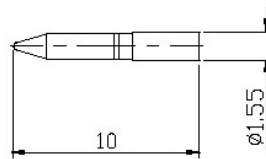
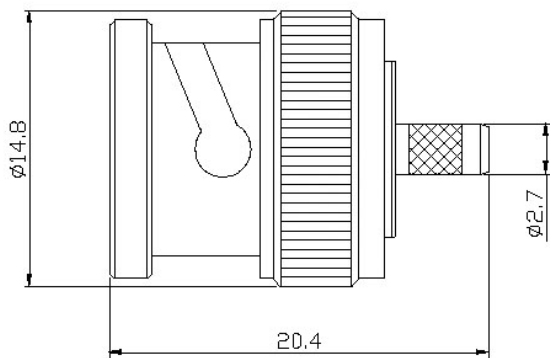
DATASHEET



ELECTRICAL SPECIFICATIONS:		
Frequency range	dc – 2 GHz	
Impedance	50 Ω	
VSWR	≤1.38	
Voltage rating	750V/50Hz max.	
Insulation resistance	5000 MΩ min.	
Temperature range	-65 / +165 °C	
Life time	>500 mating	
MATERIAL SPECIFICATIONS:		
	Materials	Finishes
Connector body	Brass	Nickel plating
Center contact	Brass	Gold plating
Ferrule	Brass	Nickel plating
Insulator	PTFE	-
CABLE GROUP:		
RG316 DOUBLE BRAID		



Unit: mm



CABLE STRIPPING

