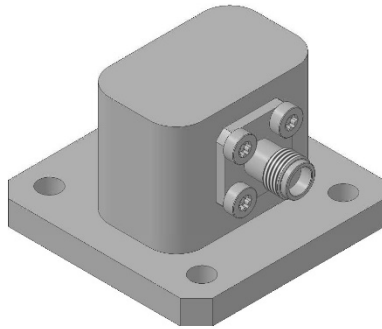


DATASHEET



ELECTRICAL SPECIFICATIONS:

Frequency range	9.84 ÷ 15.0 GHz
Impedance	50 Ω
Return loss	≥20 dB

MATERIAL SPECIFICATIONS:

	Materials	Finishes
Body	Aluminium Alloy	Cu(5 μm) Ag(≥3 μm)

