

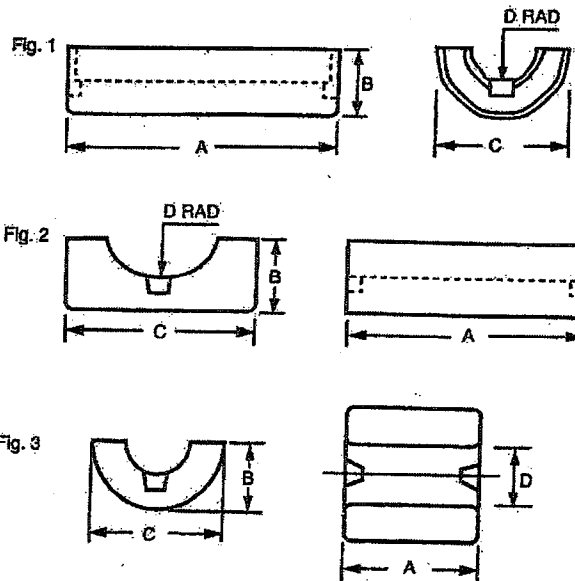
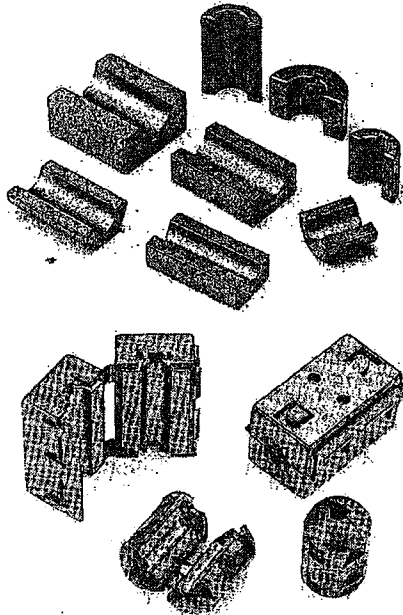
ROUND CABLE EMI CORES(LF, U TYPE)

1.APPLICATIONS :

The split sleeve & toroidal ferrite cores are used for EMI suppression on round cable assemblies.

Polypropylene snap clamps (plastic housing) are available.

2.FIGURES & SHAPES :



3.DIMENSIONS(m/m):

(1) LF TYPE (WITH CASES)

Impedance (Ohm)

NO.	CORES	A	B	C	D	25MHz	100MHz	Fig	Cable Dia	Spec
1	LF 15.4*4.35*8.4	15.4	4.35	8.4	R1.90	82	164	1	2.5-3.5	LF-35
2	LF 20.0*5.1*9.9	20.0	5.10	9.9	R2.65	101	200	1	3.5-4.5	LF-50
3	LF 28.5*6.5*15.0	28.5	6.50	15.0	R3.30	190	280	2	4.5-6.0	LF-65
4	LF 28.3*7.5*15.0	28.3	7.50	15.0	R3.50	120	220	1	5.0-6.5	LF-70
5	LF 29.2*7.7*14.4	29.2	7.70	14.4	R3.80	140	257	1	5.0-7.0	LF-75
6	LF 28.0*8.0*16.0	28.0	8.00	16.0	R4.50	110	240	2	7.0-8.5	LF-90
7	LF 33.3*8.25*16.4	33.3	8.25	16.4	R4.65	145	273	1	7.0-9.0	LF-95
8	LF 28.5*10.0*18.5	28.5	10.00	18.5	R5.10	130	272	2	7.5-9.5	LF-100
9	LF 28.5*13.0*26.0	28.5	13.00	26.0	R6.50	150	280	2	10.0-12.5	LF-130

(2) U TYPE (WITH CASES)

Impedance (Ohm)

NO.	CORES	A	B	C	D	25MHz	100MHz	Fig	Cable Dia	Spec
1	U 16.3*8.15*16.0	16.3	8.15	16.0	R 4.07	66	156	3	7.5 OR LESS	U-80
2	U 20.5*10.23*10.0	20.5	10.23	10.0	R 5.13	55	116	3	10.0 OR LESS	U-110
3	U 23.8*11.4*14.0	23.8	11.40	14.0	R 5.70	74	156	3	11.0 OR LESS	U-120
4	U 25.0*15.0*12.0	25.0	15.00	12.0	R 7.50	52	110	3	14.5 OR LESS	U-150

Case material : Nylon 66

Case plastic : 101L, UL 94V-2