



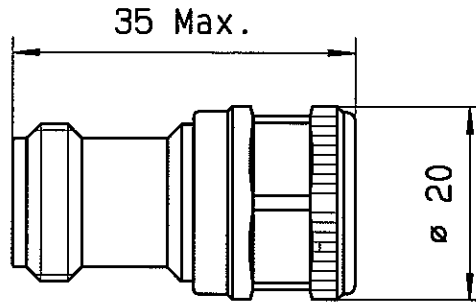
1 W

DC- 3 GHz

N

COAXIAL ATTENUATOR

DRAWING



General tolerances: +/- 0.5 mm

R F CHARACTERISTICS

FREQUENCY RANGE : DC - 3 GHz
 IMPEDANCE : 50 Ohms
 ATTENUATION - NOMINAL : 30 dB

FREQUENCY	DC- 3 GHz
V.S.W.R	<= 1.20
DEVIATION (dB)	+1.0 / -1.0

PEAK POWER at 25°C (1µs,1%) : 100 W
 AVERAGE POWER at 25°C : 1 W

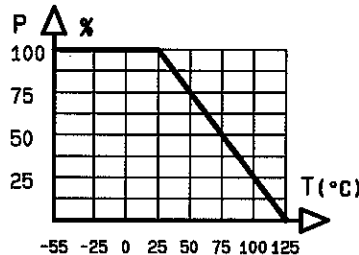
MECHANICAL CHARACTERISTICS

CONNECTORS : N male/female per MIL-C 39012
 WEIGHT : < 43 g

ENVIRONMENTAL CHARACTERISTICS

OPERATING TEMPERATURE RANGE (°C) : -40 , +85
 STORAGE TEMPERATURE RANGE (°C) : -40 , +85

Power derating
Versus temperature



RADIALL®

101, rue P. Hoffmann -Z.I Ouest-
 93116 ROSNY/BOIS Cedex-FRANCE
 Phone : 33(1)49353535
 Fax : 33(1)48546363
 Twx RADIA 235220F

This information is given as an indication. In the continual goal to improve our products, we reserve the right to make any modifications judged necessary